



# CV100 Series Check Valve NPT Instruction Manual

## **▲ WARNING**

Failure to follow these instructions or to properly install and maintain this equipment could result in gas leakage, fire or explosion causing property damage and personal injury or death.

Oasis products must be installed, operated and maintained by trained and competent personnel in accordance with all applicable local codes, rules and regulations in addition to the Oasis Instructions.

Oasis Engineering Ltd. will not be held liable in such circumstances where installation, operation and maintenance procedures were performed by incompetent personnel resulting in improper assembly, unsafe operation, equipment damage or personal injury.

The Oasis 100 series Gas Check Valve model CV102 has been designed and manufactured in accordance with Sound Engineering Practice (SEP) and comply with the SEP requirements of the EC Pressure Equipment Directive 2014/68/EU. Technical documents required by the Directive are held by the Manufacturer.

Oasis Engineering Ltd  
129 Birch Avenue, Tauranga, New Zealand.  
T: +64 7 928 3808  
E: [info@oasisNGV.com](mailto:info@oasisNGV.com)  
W: [www.OasisNGV.com](http://www.OasisNGV.com)



Instruction Manual

## Warning!

**High pressure gas and gas equipment can cause serious harm to both infrastructure and personnel if safety precautions are not followed.**

**Oasis recommends considering the use of the following PPE when working with high pressure along with any other site specific health and safety requirements:**



Foot Protection



Hearing Protection



Safety Helmets



Hand Protection

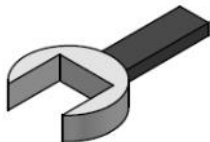


Safety Glasses



**Ensure the system is clean of debris, vented and isolated before any installation or servicing work is carried out.**

## Tools Required



Spanner  
(Wrenches)



Spray bottle  
(Snoop or soapy water)

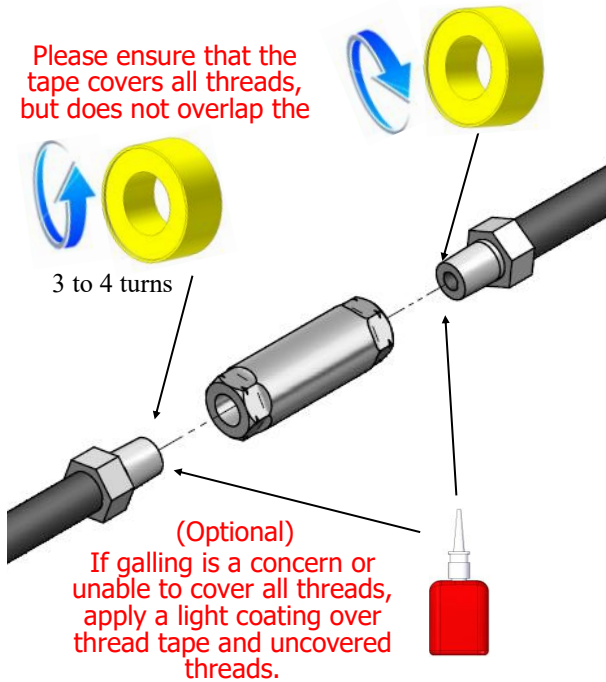


Yellow, Gas Rated, PTFE Thread Tape  
- AW TITASEAL  
- McMaster-Carr High-Density Thread Sealant Tape  
- Blue-Monster gas-guard  
- Or Similar

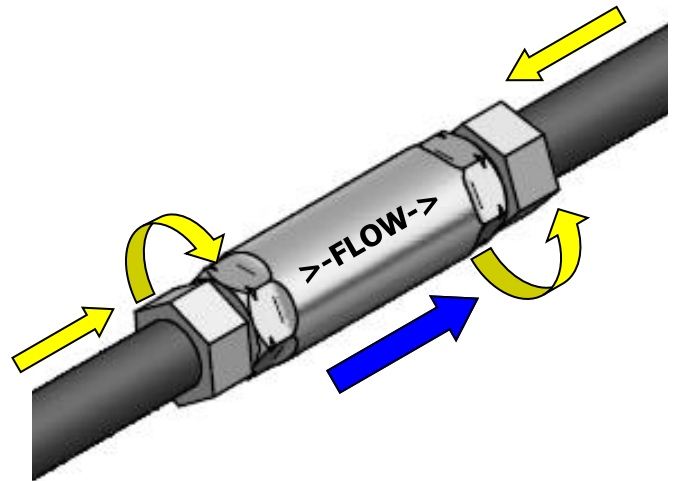


Anaerobic Thread Sealant  
with PTFE (Optional)  
- Loctite 567  
- Swagelok SWAK  
- Herson Dripstop 940  
- Gasoila FasSeal-ATS  
- Or Similar

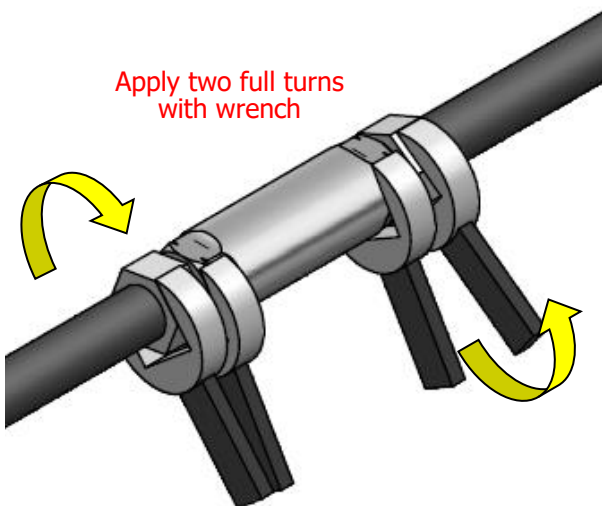
1. Apply thread tape and thread sealant.



2. Thread pipes into valve hand tight. Ensure the flow direction stamped on the valve is facing the right way.



3. Tighten connections.



4. Installation complete, check for leaks with snoop or soapy water on first use.

