



# 100 Series Bus/Truck Nozzle

## Applications

Refuelling nozzle for high flow CNG and Bio-Gas applications such bus, truck & trailer filling.



NC104-200 - Bus/Truck Nozzle

## Features & Benefits

Hardened segment connection style increases gripping surface area. This significantly reduces wear on male coupling.

Stainless steel construction gives corrosion and wear resistance.

Easily serviceable onsite with Oasis Service Kit.

Green indicator shows coupled position.



Example of Receptacle DN12

## Product Information

All products are manufactured under ISO 9001 accredited standards.

Class A tested to 100,000 + cycles.

Designed to Fit DN12 (C200) Receptacles as per ISO 14469-2 Standard.

Nozzle designed & Tested to ISO 14469-2 (2007) Standard.

Complies to PED 2014/68/EU.

Video servicing instructions available online at [oasisngv.com/resources](http://oasisngv.com/resources).

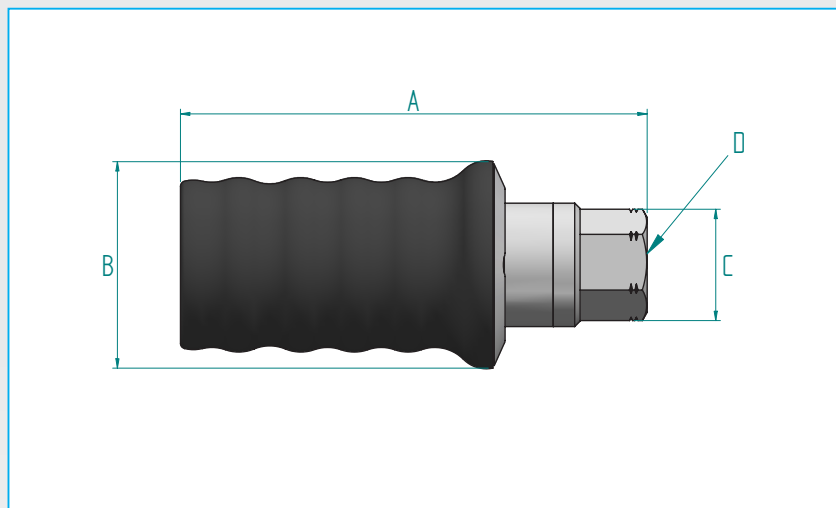
## Materials

Item	Part	Material
1	Body	316 Stainless Steel
2	Coupler Nose	316 Stainless Steel
3	Sleeve	6061 Aluminium
4	Poppet	316 Stainless Steel
5	O-rings	Nitrile
6	End Cap	316 Stainless Steel
7	Segments	420 Stainless Steel
8	Ball Bearings	420 Stainless Steel



# 100 Series Bus/Truck Nozzle

## Dimensions



## Dimensions (mm)

Part Code	Size	A	B	C (A/F)	D (Inlet Port)
NC104-200	DN12	174	77	36	7/8 -14 SAE

## Product Specification

Part Code	Mass lb (kg)	Service Pressure bar (psi) *	MAWP bar (psi)**	Min. Temp. °F (°C)	Max. Temp. °F (°C)	Cycles Before Rekit ^	Cv	Nozzle Service Kit ^^
NC104-200	4 (1.8)	248 (3600)	312.5 (4532)	-40 (40)	185 (85)	100,000	6.1	NC104-SK200-1

\* System pressure that the product is designed for.

\*\* Maximum Allowable Working Pressure, the maximum pressure at which the product can constantly operate at.

^ It is recommended that the nozzle is re-kitted on or before the maximum number of allowable cycles.

^^ NC104-SK200 service kit for NC104-200 nozzle only. For NC104-C200 use NC104-SK service kit only.