



CV300 Series Check Valve BSP Instruction Manual

▲ WARNING

Failure to follow these instructions or to properly install and maintain this equipment could result in gas leakage, fire or explosion causing property damage and personal injury or death.

Oasis products must be installed, operated and maintained by trained and competent personnel in accordance with all applicable local codes, rules and regulations in addition to the Oasis Instructions.

Oasis Engineering Ltd. will not be held liable in such circumstances where installation, operation and maintenance procedures were performed by incompetent personnel resulting in improper assembly, unsafe operation, equipment damage or personal injury.

Oasis recommends that all service technicians should watch the Product Servicing Video before attempting to service this part.



Servicing Video

Oasis Engineering Ltd
129 Birch Avenue, Tauranga, New Zealand.
T: +64 7 928 3808
E: info@oasisngv.com
W: www.OasisNGV.com



Instruction Manual

Warning!

High pressure gas and gas equipment can cause serious harm to both infrastructure and personnel if safety precautions are not followed.

Oasis recommends considering the use of the following PPE when working with high pressure along with any other site specific health and safety requirements:



Foot Protection



Hearing Protection



Safety Helmets



Hand Protection

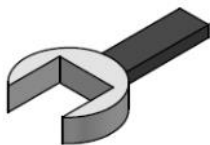


Safety Glasses



Ensure the system is clean of debris, vented and isolated before any installation or servicing work is carried out.

Tools Required



Spanner
(Wrenches)

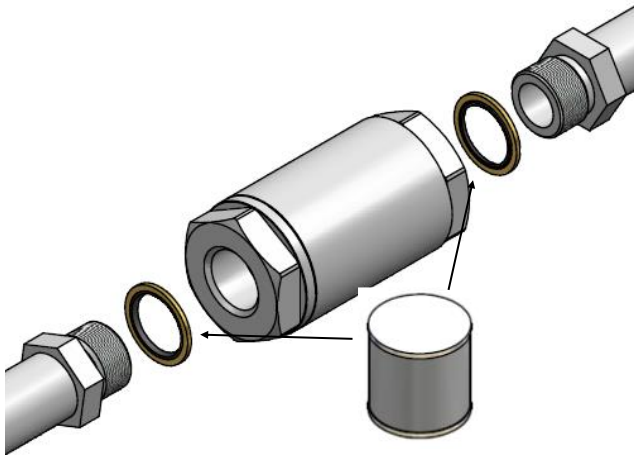


Anti Seize Grease
- Swagelok Silver Goop
- Omega 99
- or similar

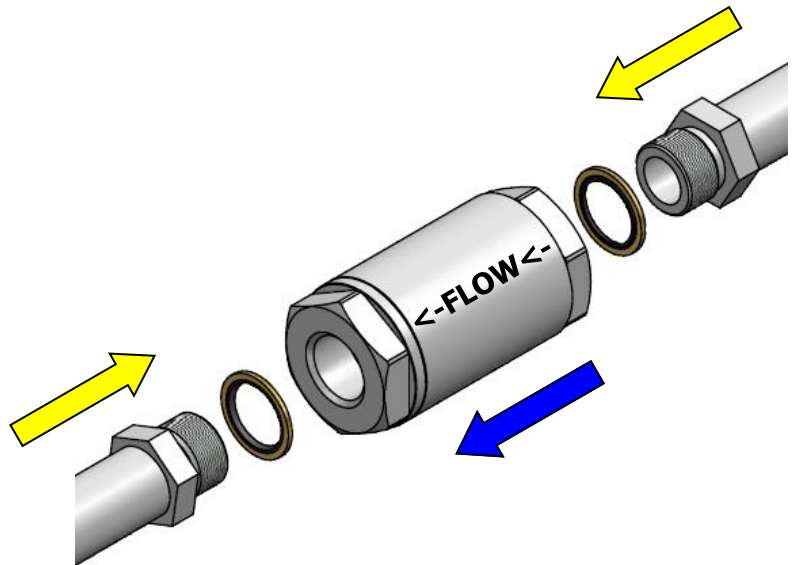


Spray bottle
(Snoop or soapy water)

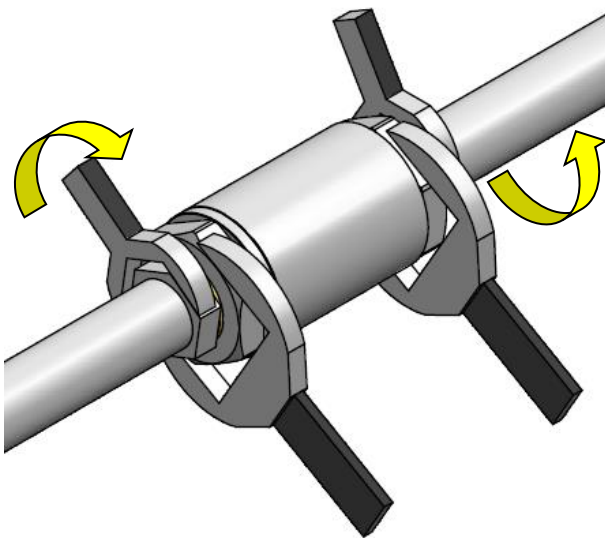
1. Place Dowty seals on fittings and apply anti seize grease to threads.



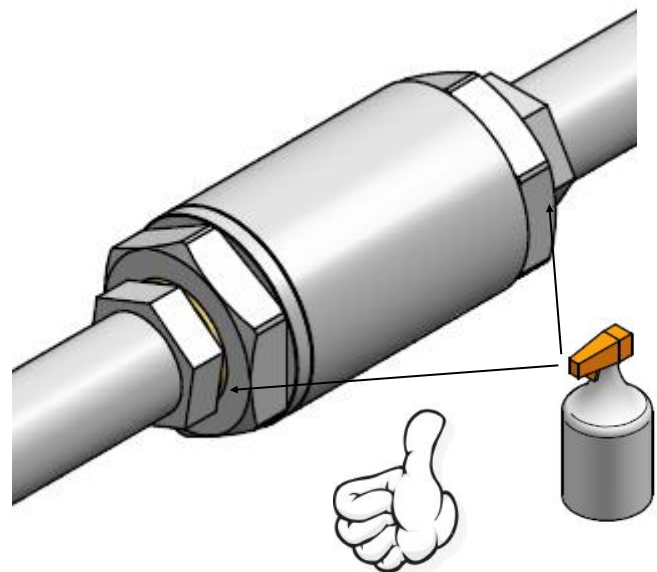
2. Ensure flow arrow on the valve is facing the correct way then screw valve into pipe.



3. Torque fittings to the fitting suppliers recommendations.



4. Installation complete, check for leaks with snoop or soapy water on first use.



Note: Oasis recommends routine back pressure leakage testing as part of a good preventative maintenance schedule and servicing the valves as required. This will ensure safe and reliable operation over their life time.

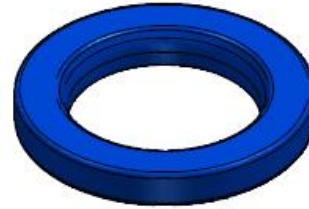
Service Kit Parts



1 x Poppet



1 x Poppet Spring



1 x Seat



1 x End Cap O-ring



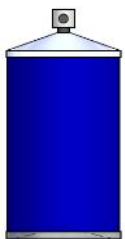
1 x End Cap Backup



1 x Silicone Grease

The Complete Oasis Seal Kit must be used

Tools Required



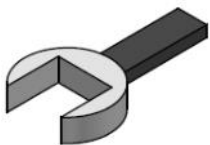
Cleaner (Warm Soapy
Water or Similar)



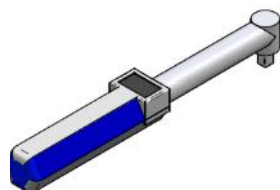
Pick Tool
TOOL-PICK
(Sold separately)



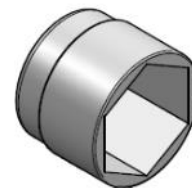
Anti Seize Grease
(Loctite 771 or Similar)
For All Threads



Spanner
(Wrenches)

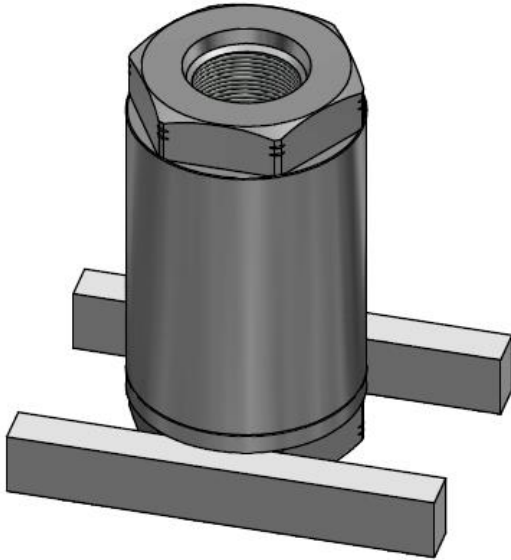


Torque Wrench

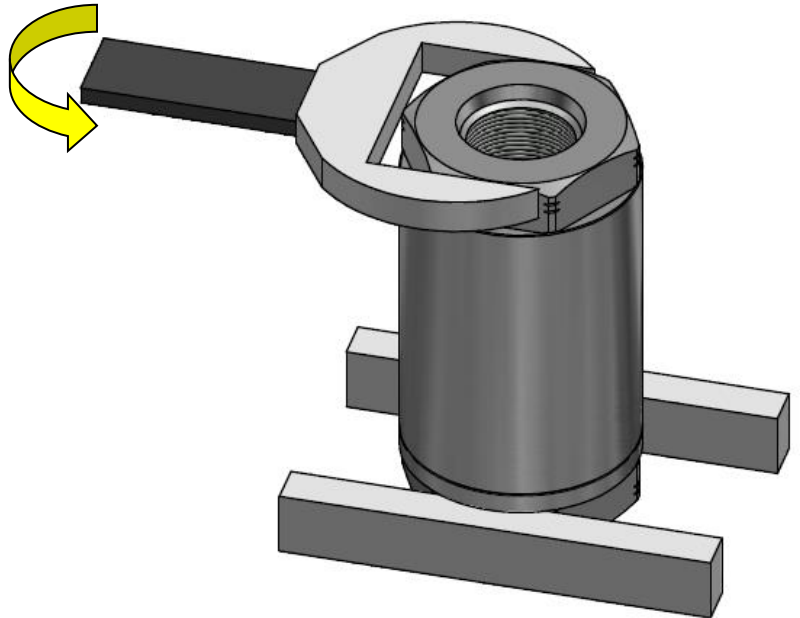


Sockets

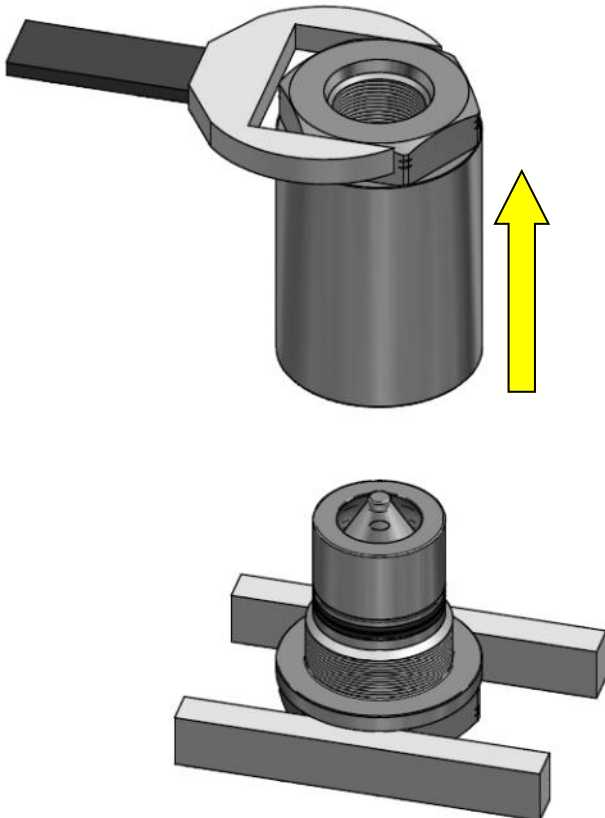
1. Place check valve in vice with body side facing up.



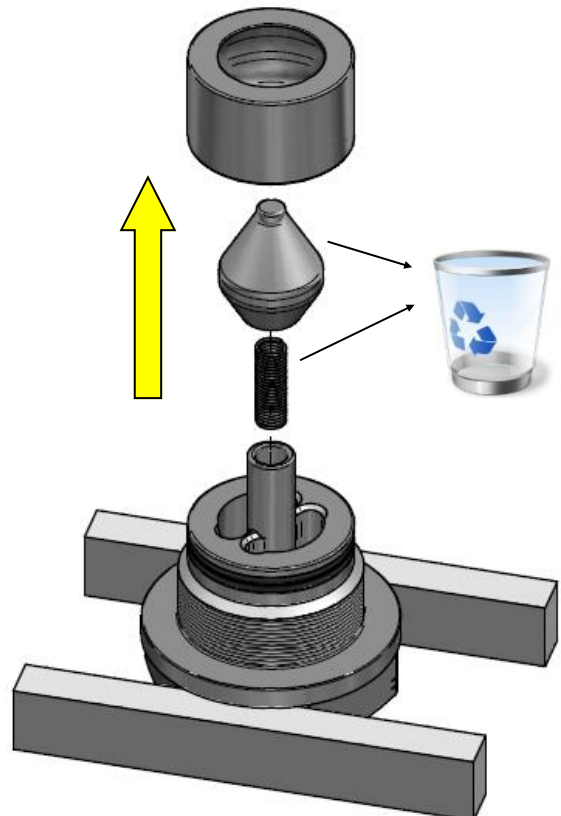
2. Loosen body from end cap.



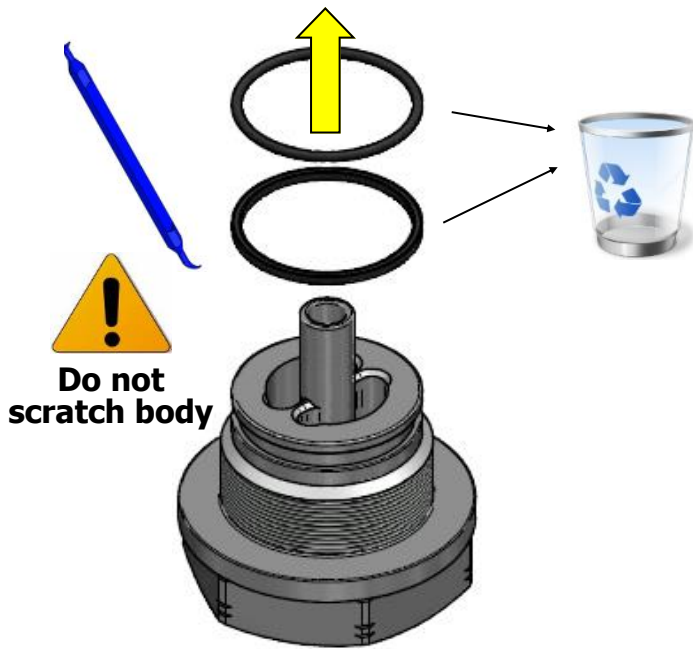
3. Carefully remove body from valve.



4. Discard check valve poppet and spring. Do not throw away the stainless steel insert.



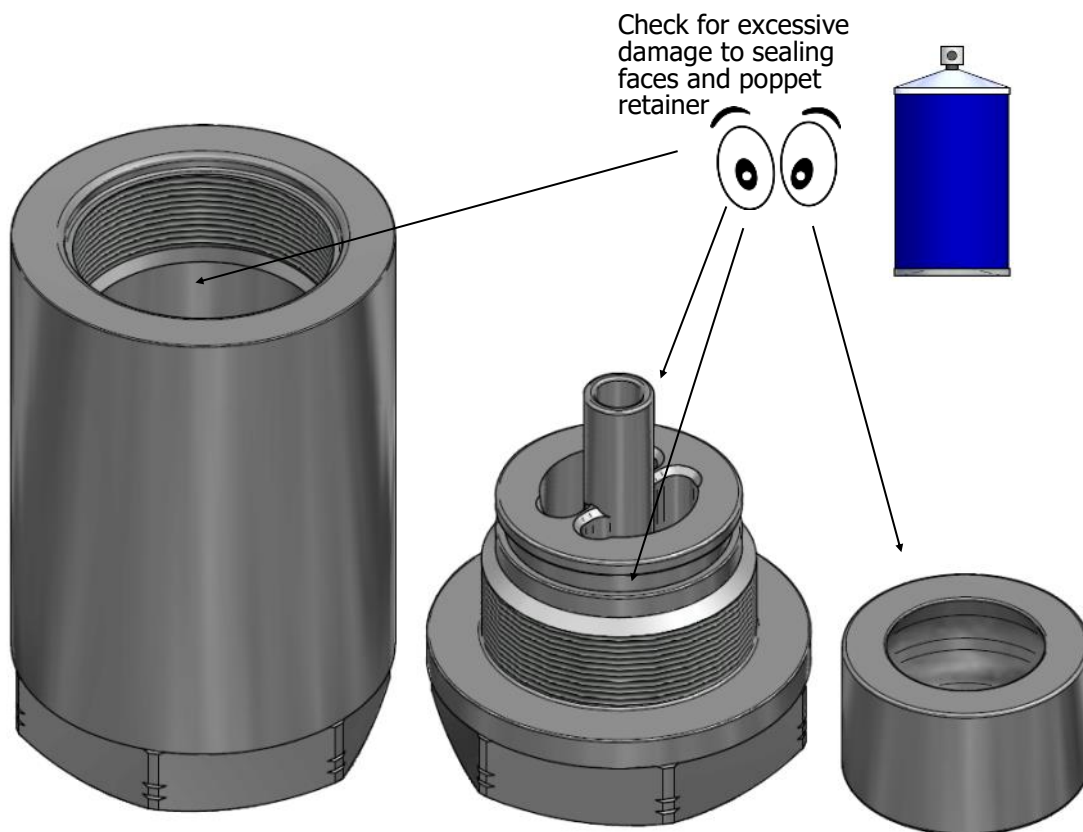
5. Remove end cap from vice and discard O-ring and backup.



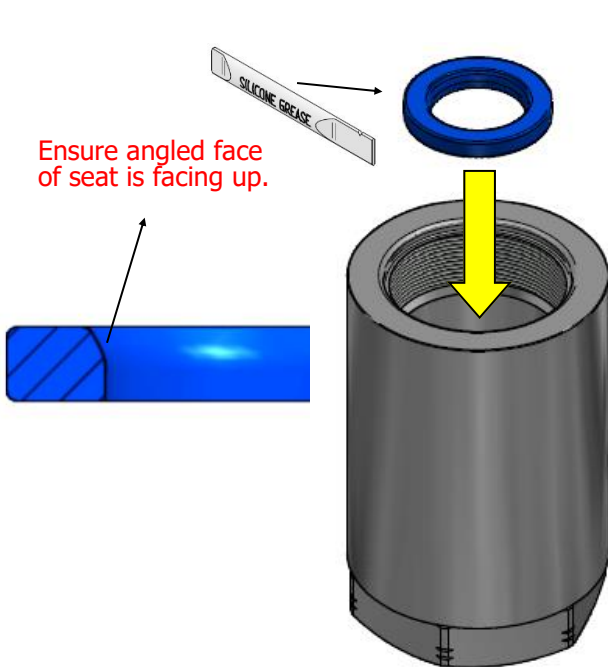
6. Remove poppet seal and discard.



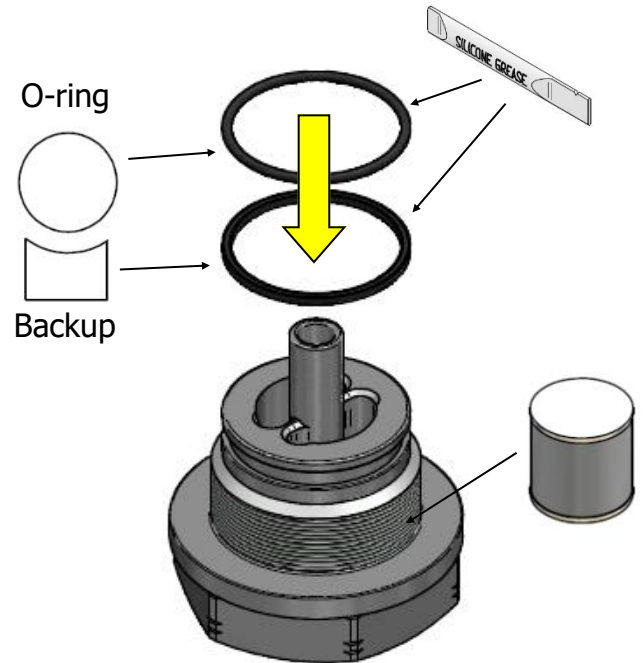
7. Clean components and inspect sealing faces for damage.



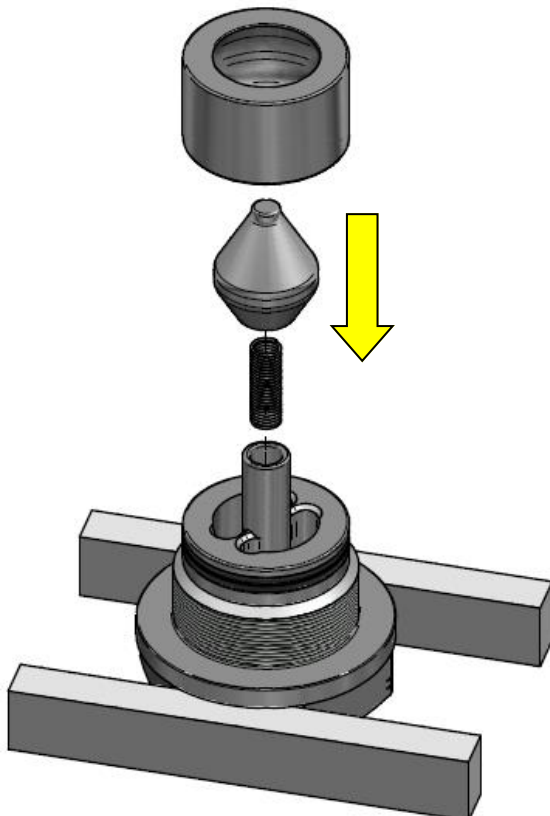
1. Apply silicone grease to edge of seat and insert into valve body. Ensure angled face of seat is facing up.



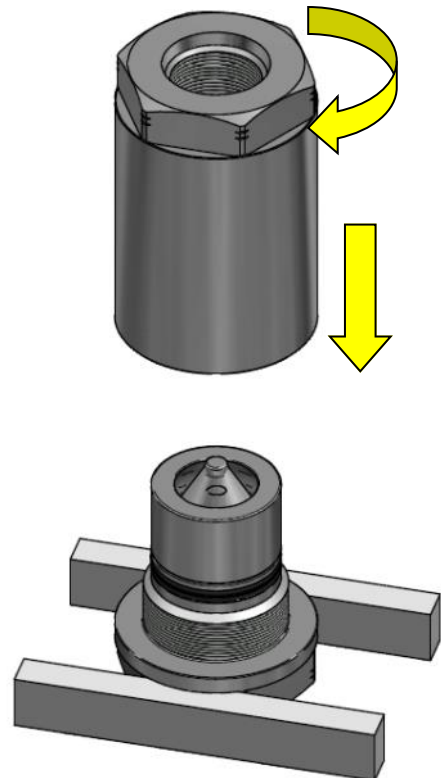
2. Grease O-ring and Backup and place on end cap. Apply anti-seize to end cap thread.



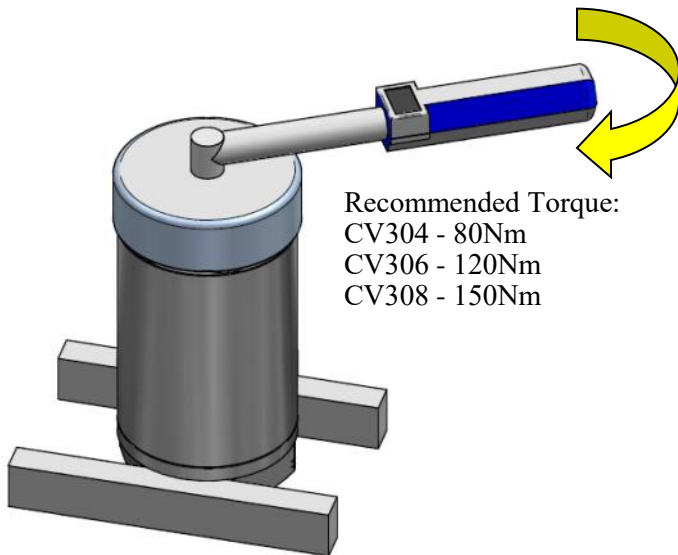
3. Secure end cap in vice and insert spring and poppet then place insert onto end cap.



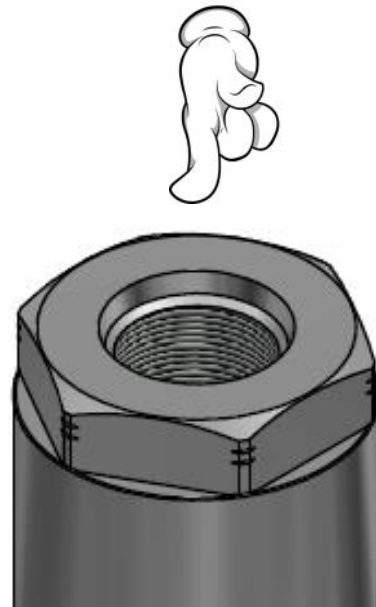
4. Carefully place body on end cap and screw together by hand.



5. Torque body.



6. Depress poppet to check for smooth operation.



7. Servicing complete, refer to installation instructions on page 3 for re-installation of product. Replace Dowty seals when re-installing valve.

