



Locking Handle Installation Instructions

**For Ball Valve:
BV702**



BV702-LH

**For Ball Valves:
BV703 - BV704 - BV706 - BV708**



**BV703-LH
BV706-LH**

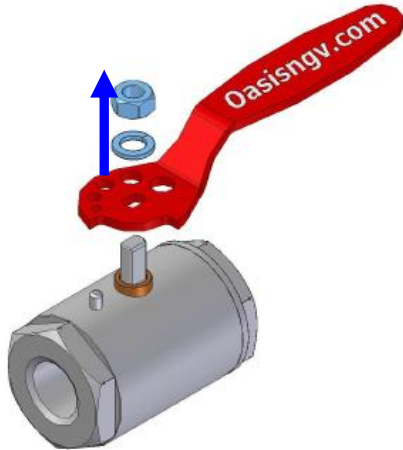
Tools Required



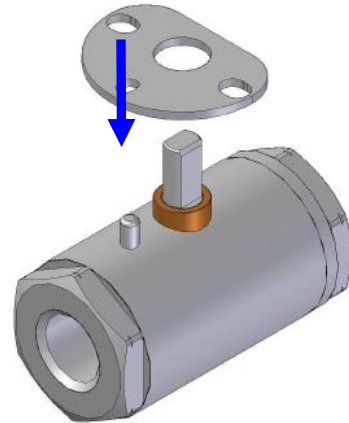
**Spanner
(Wrenches)**

INSTRUCTIONS FOR BV703 - BV704 - BV706 - BV708

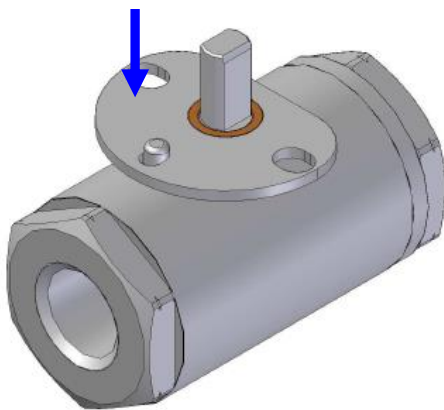
1. Remove handle.



2. Install locking plate.



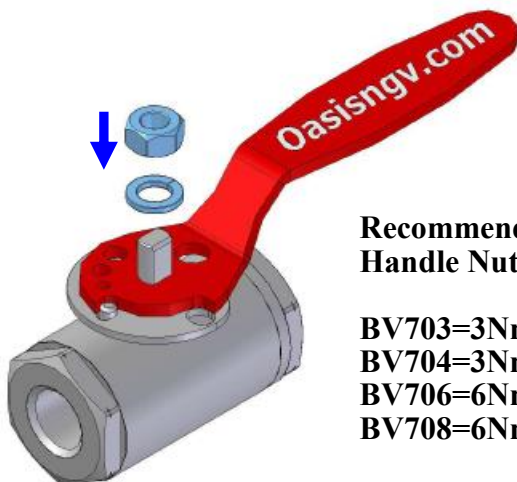
3.



4.



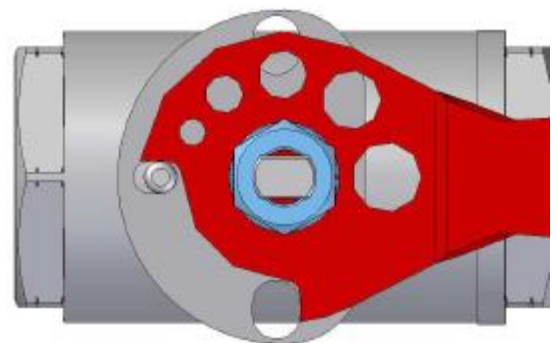
5. Re-install handle.



**Recommended
Handle Nut Torques:**

**BV703=3Nm
BV704=3Nm
BV706=6Nm
BV708=6Nm**

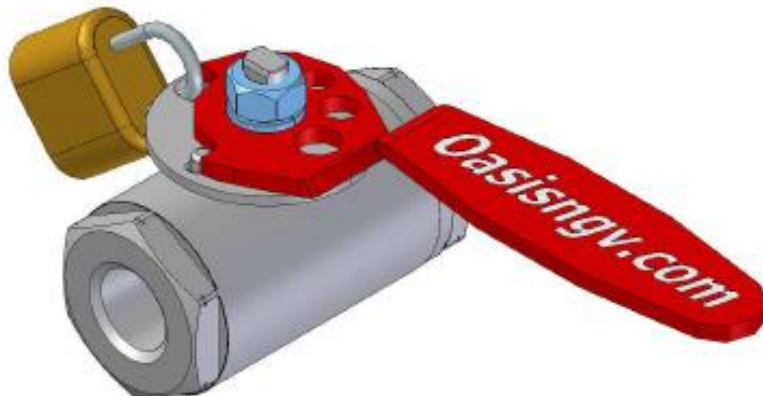
6.



BALL VALVE LOCKED OPEN

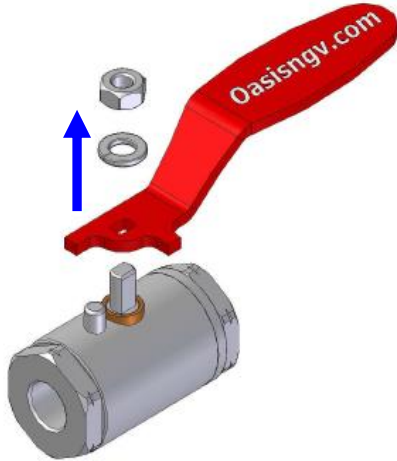


BALL VALVE LOCKED CLOSE



INSTRUCTIONS FOR BV702

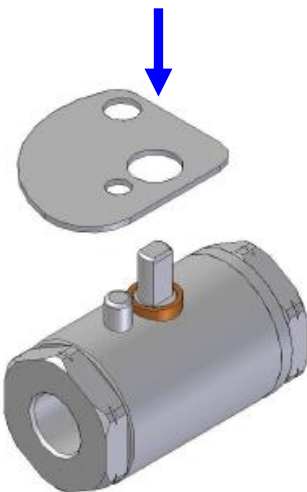
1. Remove handle.



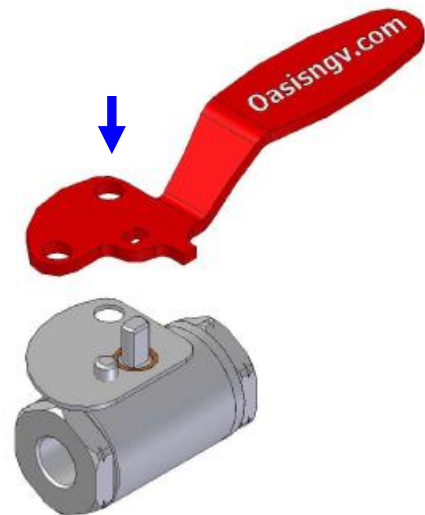
2.



3. Install locking plate.



4.

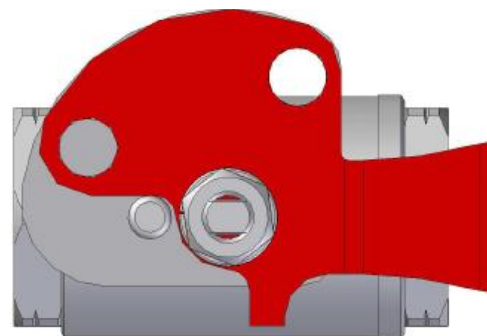


5. Re-install handle



**Recommended
Handle Nut Torques:**
BV702=3Nm

6.



LOCKED OPEN



LOCK CLOSE

