



700 Series Ready-to-Mount Valve

Applications

Dispenser Control Valves, Compressor blow down, Safety Isolation, Trailers, Priority Panels.

Suitable for use with CNG, Hydrogen, Helium, Bio-Gas, Nitrogen, Air and other gases on enquiry.



BV704 with Drive Dog & Actuator Mounting Bracket

Materials

Item	Part	Material
1	Ball Valve	As per valve specification
2	Bracket	304 Stainless steel
3	Drive Dog	303 Stainless steel
4	Clamping Bolts	304 Stainless steel
5	Spring Washers	304 Stainless steel
6	Screws	304 Stainless steel

Bracket Bolt Patterns

ISO BOLT PATTERNS AS PER ISO 5211	
F03	4x M5 on 36PCD
F04	4x M5 on 42PCD
F05	4x M6 on 50PCD
F07	4x M8 on 70PCD

Product Information

Custom drive dogs available on request.

3/4" valve tested to NGV4.6 option available on request.

Complies to PED 2014/68/EU.

CRN (OC12117.2C) approved for all provinces.

For product specifications refer to the 700 Series Ball Valve specification sheet.

More product information available online at www.OasisNGV.com/resources.

Features & Benefits

Rigid light-weight 304 Stainless steel mounting bracket.

Floating drive dog for vibration dampening - extending life of stem.

Mounting hole pattern suits ISO bolt patterns.

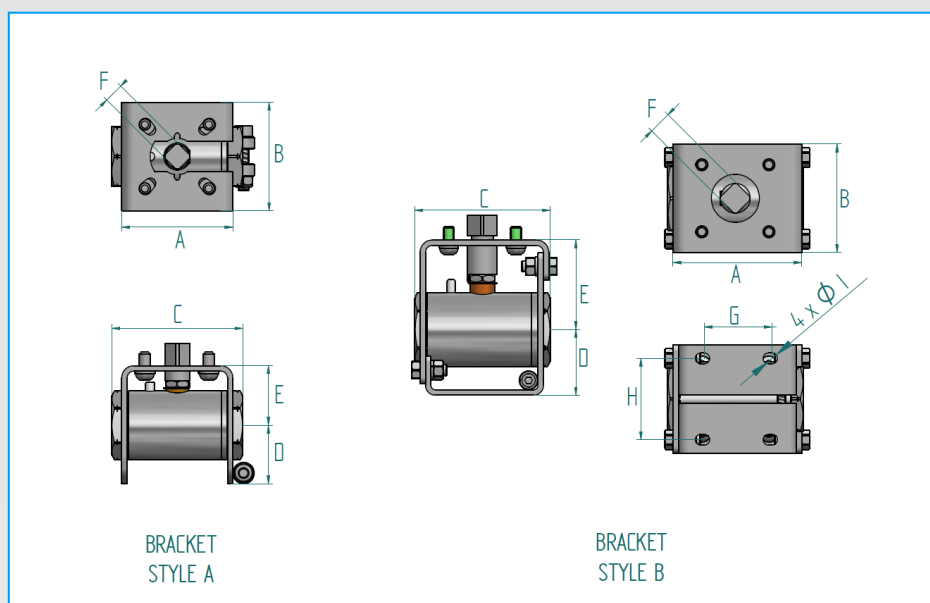
All stainless steel for durability and corrosion resistance

Accurate alignment between actuator and valve resulting in minimal stem wear.

Practical, simple assembly and servicing using standard Ball Valve Service Kit, allows field servicing with a reduced spare parts inventory.



700 Series Ready-to-Mount Valve



NPT Dimensions inch (mm)

Part	Bracket Style	A	B	C	D	E	F Drive Dog Size	Female Port Thread	G	H	Ø I	Stem Open Torque ft-lb (Nm)*	Actuator Bolt Pattern
BV702-4N6SDDN-0120	A	1.85 (47)	2.28 (58)	1.97 (50)	1.18 (30)	1.12 (28.5)	0.43 (11)	1/4" NPT	N/A	N/A	N/A	1.1 (1.5)	F03/F04
BV703-4N6SDDN-0120	A	2.09 (53)	2.56 (65)	2.32 (59)	1.10 (28)	1.20 (30.5)	0.43 (11)	3/8" NPT	N/A	N/A	N/A	2.2 (3)	F04/F05
BV704-4N6LDDN-0120	A	2.40 (61)	2.36 (60)	2.85 (72.5)	1.30 (33)	1.30 (33)	0.43 (11)	1/2" NPT	N/A	N/A	N/A	10.3 (14)	F04/F05
BV704-4N6LDDN-0130	A	2.40 (61)	2.36 (60)	2.85 (72.5)	1.30 (33)	1.30 (33)	0.55 (14)	1/2" NPT	N/A	N/A	N/A	10.3 (14)	F04/F05
BV706-4N6LDDN-0140	B	3.82 (97)	3.15 (80)	3.94 (100)	1.93 (49)	2.60 (66)	0.67 (17)	3/4" NPT	1.97 (50)	2.36 (60)	0.31 (8)	22.8 (31)	F07
BV708-4N6LDDN-0140	B	3.82 (97)	3.94 (100)	4.25 (108)	2.17 (55)	2.80 (71)	0.67 (17)	1" NPT	1.97 (50)	3.15 (80)	0.31 (8)	32.4 (44)	F07

* Opening torque at 6,000 psi

SAE Dimensions inch (mm)

Part	Bracket Style	A	B	C	D	E	F Drive Dog Size	Female Port Thread	G	H	Ø I	Stem Open Torque ft-lb (Nm)*	Actuator Bolt Pattern
BV704-4S6LDDN-0120	A	2.40 (61)	2.36 (60)	2.85 (72.5)	1.30 (33)	1.30 (33)	0.43 (11)	3/4-16 SAE	N/A	N/A	N/A	10.3 (14)	F04/F05
BV704-4S6LDDN-0130	A	2.40 (61)	2.36 (60)	2.85 (72.5)	1.30 (33)	1.30 (33)	0.55 (14)	3/4-16 SAE	N/A	N/A	N/A	10.3 (14)	F04/F05
BV706-4S6LDDN-0140	B	3.82 (97)	3.15 (80)	3.94 (100)	1.93 (49)	2.60 (66)	0.67 (17)	1 1/16-12 SAE	1.97 (50)	2.36 (60)	0.31 (8)	22.8 (31)	F07
BV708-4S6LDDN-0140	B	3.82 (97)	3.94 (100)	4.25 (108)	2.17 (55)	2.80 (71)	0.67 (17)	1 5/16-12 SAE	1.97 (50)	3.15 (80)	0.31 (8)	32.4 (44)	F07

* Opening torque at 6,000 psi

We reserve the right to modify product specifications without prior notice.