



100 Series Fill Valve Outlet Adaptors & Extensions

Applications

Adaptors and extensions for fitment of nozzles to fill valves.



100/50 mm extensions, NC203 and NC104 adaptors.

Features & Benefits

Easy fitment of Oasis nozzles to Oasis fill valves

50mm and 100mm nozzle adaptors to increase nozzle reach.

Product Information

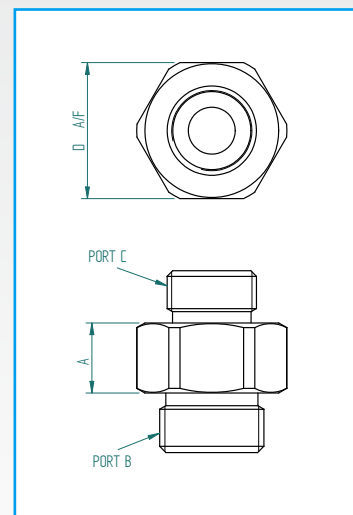
All products are manufactured under ISO 9001 accredited standards.

Complies to PED 2014/68/EU.

An adaptor is required to attached the Oasis nozzle to the Oasis fill valve.

Supplied with nitrile O-rings.

CRN (0C23503.5C) approved for all provinces.



Dimensions inch (mm)

Part Code	Length A	Port B	Port C	MAWP bar (psi)*	D A/F
NC103-35	.354 (9)	3/4 - 16 SAE (FV103)	9/16-18 SAE (NC103 P30/P36)	312.5 (4532)	7/8 (22)
NC103-36	1.97 (50)	3/4 - 16 SAE (FV103)	9/16-18 SAE (NC103 P30/P36)	312.5 (4532)	7/8 (22)
NC103-37	3.94 (100)	3/4 - 16 SAE (FV103)	9/16-18 SAE (NC103 P30/P36)	312.5 (4532)	7/8 (22)
SNC104-35	.59 (15)	3/4 - 16 SAE (FV103)	7/8-14 SAE (NC104-200)	312.5 (4532)	1 5/32 (29)

* Maximum Allowable Working Pressure, the maximum static pressure that can be applied without affecting the operation of the product.

We reserve the right to modify product specifications without prior notice.