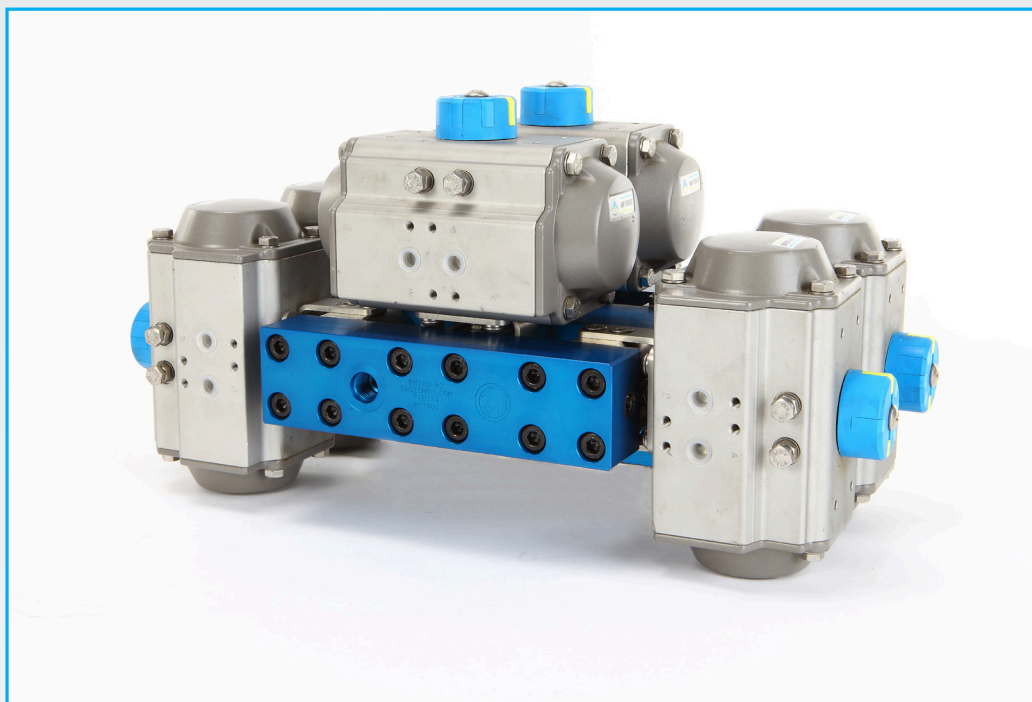




100 Series CNG Dispenser Manifold

Applications

CNG Dispenser



DM104-87 - CNG Dispenser Manifold

Materials

Item	Part	Material
1	Blocks	6061 Aluminum
2	Actuator Brackets	304 Stainless steel
3	Sandwich Valves	As per standard specifications
5	Actuator	As per manufacturer specifications

Features & Benefits

Service kits are readily available & easy to install.

CNC machining allows tighter tolerances to be maintained, which extends the working life of the components.

The complete Oasis range has been cycle tested to ensure LOWEST LIFE COST.

Complies with PED 2014/68/EU.

All products are manufactured to ISO 9001 standards.

Product Specification

Part Code	Mass lb (kg)	Min. Operating Pressure bar (psi) *	Max. Operating Pressure bar (psi)**	Min. Temp. °F (°C)	Max Temp. °F (°C)	Cycles Before Rekit ^	Stem Open Torque ft-lb (Nm)^^	Cv
DM104-87	63.3 (28.7)	34 (500)	380 (5500)	-40 (-40)	185 (85)	100,000	3.3 (4.5)	3.5

* Minimum system pressure the product will hold constant bubble tight seal.

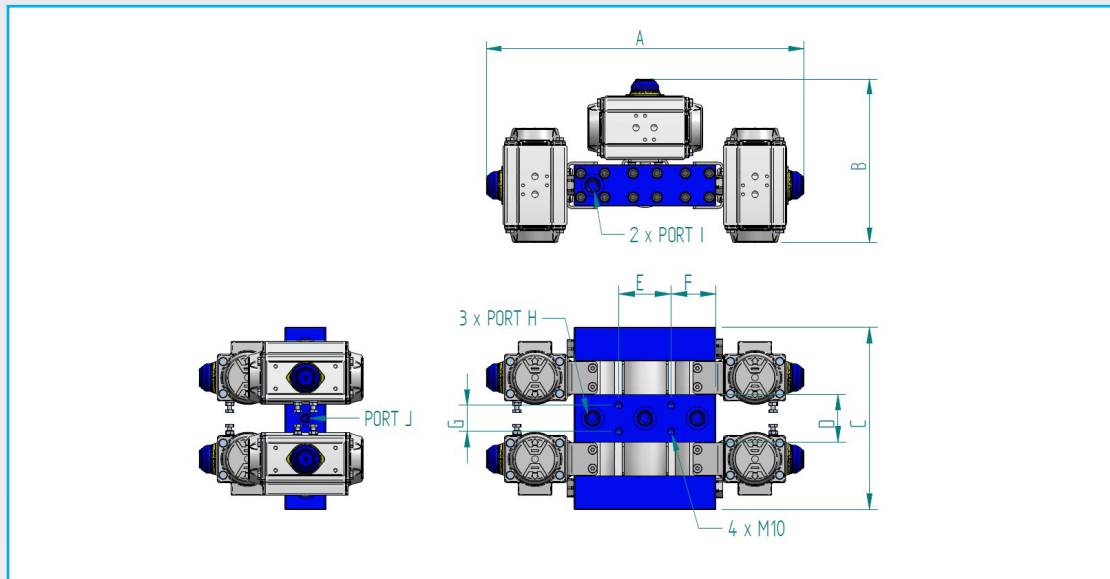
** Maximum pressure at which the product can constantly operate at.

^ It is recommended that the dispenser manifold is re-kitted on or before the maximum number of allowable cycles.

^^ Opening Torque at 5500 psi



100 Series CNG Dispenser Manifold



Dimensions (mm)

Part Code	Size	A	B	C	D	E	F	G	PORT H	PORT I	PORT J
DM104-87	1/2"	425	220	244	64	70	60	35	3/4 - 16 SAE FEMALE	3/4 - 16 SAE FEMALE	7/16 - 20 SAE FEMALE

Port Descriptions

Port Identification	Port description
PORT J	H, M, L supply
PORT K	To dispenser (side A/B)
PORT L	Actuator feed

P & ID

