



700 Series Ball Valves - BSPP Threads

Applications

CNG Compressors, Dispensers, Priority Panels, Isolation Valves, CNG storage.

Suitable for use with CNG, Hydrogen, Helium, Bio-Gas, Nitrogen, Air and other gases on enquiry.



Ball Valves

Materials

Item	Part	Material
1	Body	316 Stainless steel
2	Cap	316 Stainless steel
3	Stem	316 Stainless steel
4	Ball	316 Stainless steel
5	Seats	Delrin

Item	Part	Material
6	Gland & Thrust	Delrin
7	Body O-rings	Nitrile
8	Stem O-rings	Nitrile
9	Handle	304 Stainless steel

Product Information

Custom handle options available on request.

BSPP threaded ports available from stock. Other thread types available upon request.

All products are manufactured to ISO 9001 standards.

Complies to PED 2014/68/EU.

Video servicing instructions available online at www.OasisNGV.com/resources.

Features & Benefits

The 700 Series Ball Valve is a FULL FLOW, Anti Blowout stem, all stainless steel certified bar stock, two-piece, serviceable valve.

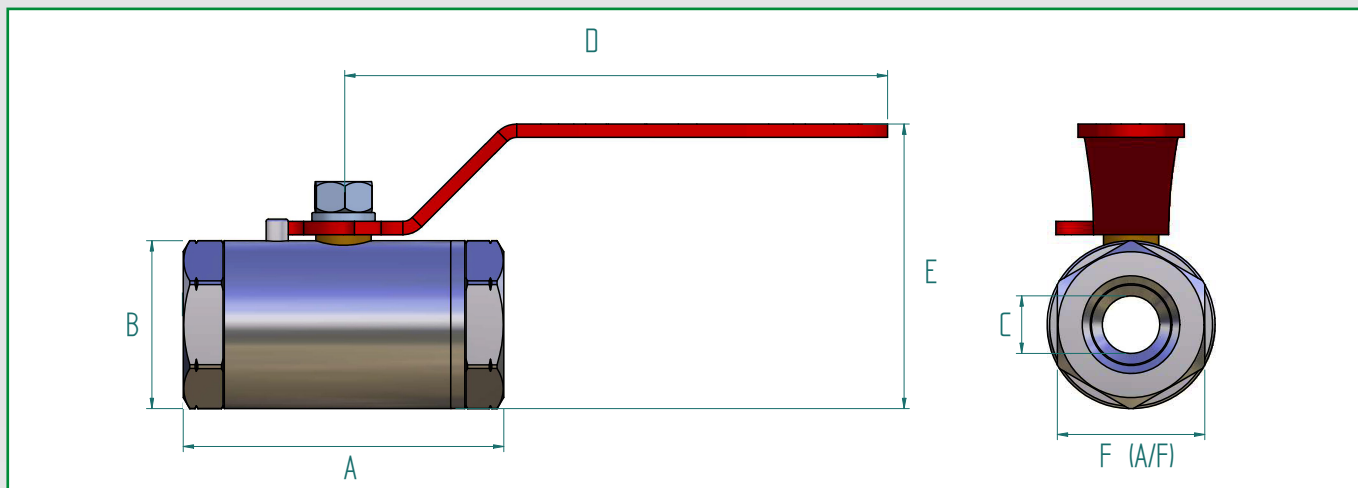
Service kits are readily available & easy to install.

CNC machining allows tighter tolerances to be maintained, which extends the working life of the components.

The complete Oasis range has been cycle tested to ensure LOWEST LIFE COST.



700 Series Ball Valves - BSPP Threads



Dimensions Inch (mm)

Part Code	Size	A	B	Ø C	D	E	Port Thread	F (A/F)
BV702-6B6SDDN-1000	1/4"	1.96 (50)	1.1 (28)	.275 (7)	3.54 (90)	1.93 (49)	1/4" BSP FEMALE	1 (25)
BV703-6B6SDDN-1000	3/8"	2.32 (59)	1.25 (32)	.39 (10)	4.9 (125)	2.28 (58)	3/8" BSP FEMALE	1.1 (28)
BV704-6B6SDDN-1000	1/2"	2.87 (73)	1.5 (38)	.5 (13)	4.9 (125)	2.56 (65)	1/2" BSP FEMALE	1.3 (33.4)
BV706-6B6ADDN-1000	3/4"	3.9 (100)	2.16 (55)	.78 (20)	6.9 (177)	3.5 (89)	3/4" BSP FEMALE	1.9 (48)

Product Specification

Part Code	Mass lb (kg)	Min. Operating Pressure bar (psi) *	Max. Operating Pressure bar (psi) **	Min. Temp. °F (°C)	Max Temp. °F (°C)	Cycles Before Rekit [^]	Stem Open Torque ft-lb (Nm) ^{^^}	Cv	Service Kit
BV702-6B6SDDN-1000	0.7 (0.3)	34.5 (500)	410 (6000)	-40 (-40)	185 (85)	85,000	1.1 (1.5)	4.5	BV702-SK6SDDN
BV703-6B6SDDN-1000	0.9 (0.4)	34.5 (500)	410 (6000)	-40 (-40)	185 (85)	100,000	2.2 (3)	9.3	BV703-SK6SDDN
BV704-6B6SDDN-1000	1.3 (0.6)	34.5 (500)	410 (6000)	-40 (-40)	185 (85)	120,000	3.3 (4.5)	12.3	BV704-SK6SDDN
BV706-6B6ADDN-1000	3.7 (1.7)	34.5 (500)	410 (6000)	-40 (-40)	185 (85)	150,000	18.4 (25)	31	BV706-SK6ADDN [#]
BV708-6B6SDDN-1000	6.2 (2.8)	34.5 (500)	410 (6000)	-40 (-40)	185 (85)	150,000	20.7 (28)	44.5	BV708-SK6SDDN

* Minimum system pressure the product will hold constant bubble tight seal.

** Maximum pressure at which the product can constantly operate at.

[^] It is recommended that the ball valve is re-kitted on or before the maximum number of allowable cycles.

[#] Use BV706-SK6ADDN for BV706-4N6ADDN only. For obsolete valve BV706-4NSDDN use BV706-SKSDDN service kit only.

^{^^} Opening torque at 6,000 psi