



900 Series Ball Valves

Applications

High Flow TPED ball valves for trailer use worldwide.

Suitable for Hydrogen, CNG, Biogas, RNG, Helium, Nitrogen.



BV908-6N6TCDW-G000

Materials

Item	Part	Material
1	Body & Cap	Stainless Steel
2	Ball	Stainless Steel
3	Stem	Stainless Steel
4	Seats	PEEK

Item	Part	Material
5	Thrust washer	POM
6	Gland	POM
7	O-rings	FKM
8	Backup rings	NBR
9	Handle	Stainless Steel

Product Information

Type tested to ISO23826.

Complies with TPED 2010/35/EU.

CRN pending.

All products are manufactured to ISO 9001 standards.

NPT threads conform to ASME B1.20.1.

SAE threads conform to SAE J1926.

BSP threads conform to ISO 228.

DKOS connections conform to ISO 8434-1.

Tube connections available.

Other connections available on request.

Custom handles available on request.

End users shall consider the pressure and flow of the system to which the valves are installed.

We reserve the right to modify product specifications without prior notice.

Features & Benefits

Suitable for 385 bar working pressure trailers.

Easy to service, kits readily available.

Quarter turn handle.

Anti blow-out stem.

Manufactured from certified bar stock.

Lockout system available to prevent accidental operation of valve.

Actuated options available.



900 Series Ball Valves

BSP Product Specification

Part Code	Size (DN) Inch (mm)	Mass lb (kg)	Lowest Operating Pressure bar (psi) *	Working Pressure (WP) bar (psi) **	Max Allowable Working Pressure (PT) bar (psi) ***	Min. Temp. °F (°C)	Max Temp. °F (°C)^^^	Cycles Before Rekit^	Stem Open Torque ft-lb (Nm)**	Cv	Service Kit
BV902-6B4TCDW-G000	1/4" (6.35)	1.5 (0.7)	6.9 (100)	385 (5584)	462 (6700)	-40 (-40)	149 (65)	2000	14.7 (20)	TBC	BV900-SK1
BV903-6B4TCDW-G000	3/8" (9.5)									13.1	
BV904-6B4TCDW-G000	1/2" (12.7)									13.1	
BV906-6B6TCDW-G000	3/4" (19.05)	4.9 (2.2)	6.9 (100)	385 (5584)	462 (6700)	-40 (-40)	149 (65)	2000	33.2 (45)	TBC	BV900-SK2
BV908-6B6TCDW-G000	1" (25.4)									30.1	

NPT Product Specification

Part Code	Size (DN) Inch (mm)	Mass lb (kg)	Lowest Operating Pressure bar (psi) *	Working Pressure (WP) bar (psi) **	Max Allowable Working Pressure (PT) bar (psi) ***	Min. Temp. °F (°C)	Max Temp. °F (°C)^^^	Cycles Before Rekit^	Stem Open Torque ft-lb (Nm)**	Cv	Service Kit
BV902-6N4TCDW-G000	1/4" (6.35)	1.5 (0.7)	6.9 (100)	385 (5584)	462 (6700)	-40 (-40)	149 (65)	2000	14.7 (20)	TBC	BV900-SK1
BV903-6N4TCDW-G000	3/8" (9.5)									13.1	
BV904-6N4TCDW-G000	1/2" (12.7)									13.1	
BV906-6N6TCDW-G000	3/4" (19.05)	4.9 (2.2)	6.9 (100)	385 (5584)	462 (6700)	-40 (-40)	149 (65)	2000	33.2 (45)	TBC	BV900-SK2
BV908-6N6TCDW-G000	1" (25.4)									30.1	

SAE Product Specification

Part Code	Size (DN) Inch (mm)	Mass lb (kg)	Lowest Operating Pressure bar (psi) *	Working Pressure (WP) bar (psi) **	Max Allowable Working Pressure (PT) bar (psi) ***	Min. Temp. °F (°C)	Max Temp. °F (°C)^^^	Cycles Before Rekit^	Stem Open Torque ft-lb (Nm)**	Cv	Service Kit
BV902-6S4TCDW-G000	1/4" (6.35)	1.5 (0.7)	6.9 (100)	385 (5584)	462 (6700)	-40 (-40)	149 (65)	2000	14.7 (20)	TBC	BV900-SK1-S4
BV903-6S4TCDW-G000	3/8" (9.5)									13.1	
BV904-6S4TCDW-G000	1/2" (12.7)									13.1	
BV906-6S6TCDW-G000	3/4" (19.05)	4.9 (2.2)	6.9 (100)	385 (5584)	462 (6700)	-40 (-40)	149 (65)	2000	33.2 (45)	TBC	BV900-SK2-S8
BV908-6S6TCDW-G000	1" (25.4)									30.1	

* Lowest settled gas pressure for which the ball valve is designed. This is the minimum pressure that the product will hold constant bubble tight seal.

** Settled pressure of a compressed gas at a uniform reference temperature of 15°C in a full pressure receptacle for which the valve is intended.

*** Minimum pressure applied to the valve during testing

^ The temperature's and cycles stated depend on the system conditions and may not be achievable in all situations. Contact Oasis for further information.

^^ Maximum opening torque at maximum operating pressure.

^^^ TPED-certified to 65 °C, evaluated by Oasis to 85 °C, which exceeds certification scope and must be verified by the system designer. Contact Oasis for further information.

We reserve the right to modify product specifications without prior notice.



900 Series Ball Valves

Tube Connection Product Specification

Part Code	Tube size mm	Mass lb (kg)	Lowest Operating Pressure bar (psi) *	Working Pressure (WP) bar (psi) **	Max Allowable Working Pressure (PT) bar (psi) ***	Min. Temp. °F (°C)	Max Temp. °F (°C)^^	Cycles Before Rekit^	Stem Open Torque ft-lb (Nm)^	Cv	Service Kit
BV904-614TCDW-G000	12	1.5 (0.7)	6.9 (100)	385 (5584)	462 (6700)	-40 (-40)	149 (65)	2000	14.7 (20)	13.1	BV900-SK1
BV904-624TCDW-G000	16										
BV908-646TCDW-G000	25	4.9 (22)		250 (3626)	320 (4641)				33.2 (45)	30.1	BV900-SK2

DKOS Connection Product Specification

Part Code	Tube size mm	Mass lb (kg)	Lowest Operating Pressure bar (psi) *	Working Pressure (WP) bar (psi) **	Max Allowable Working Pressure (PT) bar (psi) ***	Min. Temp. °F (°C)	Max Temp. °F (°C)^^	Cycles Before Rekit^	Stem Open Torque ft-lb (Nm)^	Cv	Service Kit
BV904-674TCDW-G000	12	1.5 (0.7)	6.9 (100)	385 (5584)	462 (6700)	-40 (-40)	149 (65)	2000	14.7 (20)	13.1	BV900-SK1
BV904-684TCDW-G000	16										
BV904-694TCDW-G000	20										

* Lowest settled gas pressure for which the ball valve is designed. This is the minimum pressure that the product will hold constant bubble tight seal.

** Settled pressure of a compressed gas at a uniform reference temperature of 15°C in a full pressure receptacle for which the valve is intended.

*** Minimum pressure applied to the valve during testing

^ The temperature's and cycles stated depend on the system conditions and may not be achievable in all situations. Contact Oasis for further information.

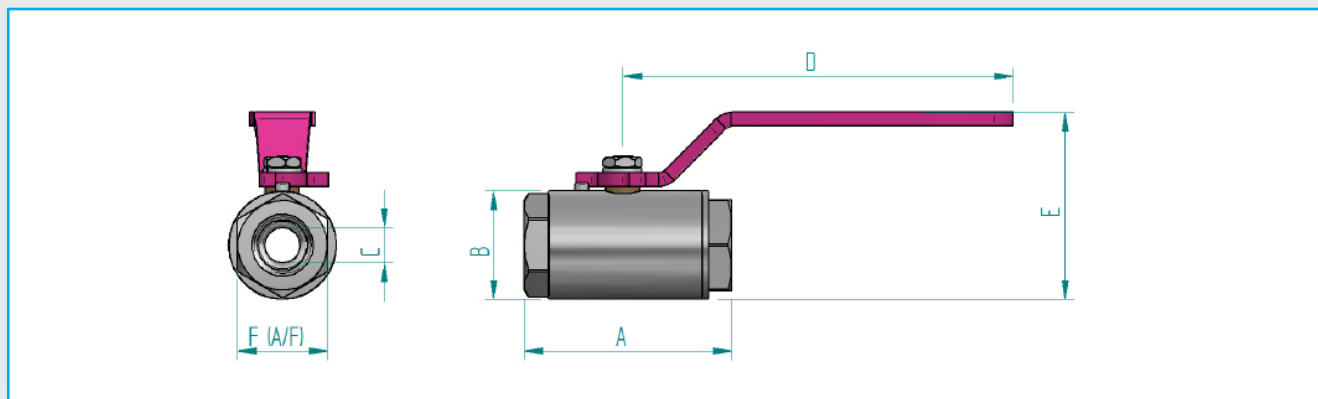
^^ Maximum opening torque at maximum operating pressure.

^^^ TPED-certified to 65 °C, evaluated by Oasis to 85 °C, which exceeds certification scope and must be verified by the system designer. Contact Oasis for further information.



900 Series Ball Valves

Product Dimensions - BSP, NPT, SAE



BSP Product Dimensions - Inch(mm)

Part Code	Size (DN) Inch (mm)	A	B	Ø C	D	E	Port Thread	F (A/F)
BV902-6B4TCDW-G000	1/4" (6.35)	3 (75.5)	1.6 (40)	.45 (11.4)	5.7 (144)	2.7 (69)	G1/4 FEMALE	1.3 (33.4)
BV903-6B4TCDW-G000	3/8" (9.5)			.5 (13)			G3/8 FEMALE	
BV904-6B4TCDW-G000	1/2" (12.7)			G1/2 FEMALE				
BV906-6B6TCDW-G000	3/4" (19.05)	4.7 (120)	2.2 (59)	.79 (20)	6.9 (177)	3.6 (91)	G3/4 FEMALE	1.9 (48)
BV908-6B6TCDW-G000	1" (25.4)						G1 FEMALE	

Other sizes and fittings available on request, contact Oasis for further information.

NPT Product Dimensions - Inch(mm)

Part Code	Size (DN) Inch (mm)	A	B	Ø C	D	E	Port Thread	F (A/F)
BV902-6N4TCDW-G000	1/4" (6.35)	3 (75.5)	1.6 (40)	.43 (11)	5.7 (144)	2.7 (69)	1/4" NPT FEMALE	1.3 (33.4)
BV903-6N4TCDW-G000	3/8" (9.5)			.5 (13)			3/8" NPT FEMALE	
BV904-6N4TCDW-G000	1/2" (12.7)			1/2" NPT FEMALE				
BV906-6N6TCDW-G000	3/4" (19.05)	4.7 (120)	2.2 (59)	.78 (20)	6.9 (177)	3.6 (91)	3/4" NPT FEMALE	1.9 (48)
BV908-6N6TCDW-G000	1" (25.4)						1" NPT FEMALE	

Other sizes and fittings available on request, contact Oasis for further information.

SAE Product Dimensions - Inch(mm)

Part Code	Size (DN) Inch (mm)	A	B	Ø C	D	E	Port Thread	F (A/F)
BV902-6S4TCDW-G000	1/4" (6.35)	3 (75.5)	1.6 (40)	.38 (9.7)	5.7 (144)	2.7 (69)	7/16-20 SAE FEMALE	1.3 (33.4)
BV903-6S4TCDW-G000	3/8" (9.5)			.5 (13)			9/16-18 SAE FEMALE	
BV904-6S4TCDW-G000	1/2" (12.7)			3/4-16 SAE FEMALE				
BV906-6S6TCDW-G000	3/4" (19.05)	4.7 (120)	2.2 (59)	.78 (20)	6.9 (177)	3.6 (91)	1 1/16-12 SAE FEMALE	1.9 (48)
BV908-6S6TCDW-G000	1" (25.4)						1 5/16-12 SAE FEMALE	

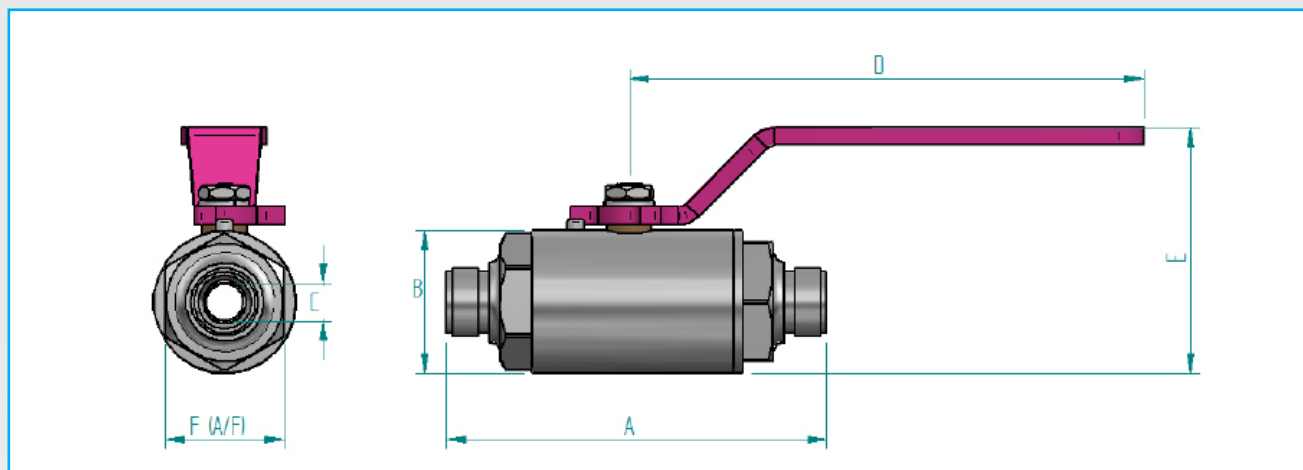
Other sizes and fittings available on request, contact Oasis for further information.

We reserve the right to modify product specifications without prior notice.



900 Series Ball Valves

Product Dimensions - Tube & DKOS



Tube Product Dimensions - mm

Part Code	Tube size mm	A	B	Ø C	D	E	Port Thread	F (A/F)
BV904-614TCDW-G000	12	4.2 (106.5)	1.6 (40)	.41 (10.5)	5.7 (144)	2.7 (69)	3/4 - 20 UNEF	1.3 (33.4)
BV904-624TCDW-G000	16	TBC		TBC			7/8 - 20 UNEF	
BV908-646TCDW-G000	25	5.9 (150)	2.2 (59)	.78 (20)	6.9 (177)	3.6 (91)	1-5/16 - 20 UN	1.9 (48)

Other sizes and fittings available on request, contact Oasis for further information.

DKOS Product Dimensions - mm

Part Code	Tube size mm	A	B	Ø C	D	E	Port Thread	F (A/F)
BV904-674TCDW-G000	12	4 (100.5)	1.6 (40)	.31 (8)	5.7 (144)	2.7 (69)	M20 X 1.5 - 6g	1.3 (33.4)
BV904-684TCDW-G000	16	4.1 (104.5)		.47 (12)			M24 X 1.5 - 6g	
BV904-694TCDW-G000	20	4.3 (108.5)		.5 (13)			M30 X 2.0 - 6g	

Other sizes and fittings available on request, contact Oasis for further information.