



900 Series TPED Cylinder Valves

Applications

High Flow TPED cylinder valves for trailer use.

Suitable for Hydrogen, CNG, Biogas, Helium, Nitrogen and other gases on enquiry.



TH904-62B92T0-G000

Materials

Item	Part	Material
1	Body & Cap	316 Stainless Steel
2	Ball	316 Stainless Steel
3	Stem	XM19 Stainless Steel
4	Seats	B16 PEEK
5	Thrust washer	Delrin

Item	Part	Material
6	Gland	Delrin
7	O-rings	Viton
8	Backup rings	Nitrile
9	Handle,	304 Stainless Steel

Product Information

Type tested to ISO23826.

Complies with TPED 2010/35/EU.

All products are manufactured to ISO 9001 standards.

SAE threads conform to SAE J1926.

25E (W28.8) threads conform to ISO11363-2.

UNF18 (1 1/8-12 UNF) threads conform to ASME B1.1.

Other end cap and cylinder fitting options available on request.

Features & Benefits

Suitable for 385 bar working pressure trailers.

Available with 25E or UNF18 male cylinder connection.

Easy to service, kits readily available.

Quarter turn handle.

Anti blow-out stem.

Includes a live PRD port, PRD not included.

Manufactured from certified bar stock.

Lockout system available on request to prevent accidental operation of valve.



900 Series TPED Cylinder Valves

SAE Product Specification

Part Code	Size	Mass lb (kg)	Lowest Operating Pressure bar (psi) *	Working Pressure (WP) bar (psi) **	Test Pressure (PT) bar (psi) ***	Min. Temp. °F (°C)	Max Temp. °F (°C)	Cycles Before Rekit [^]	Stem Open Torque ft-lb (Nm) ^{^^}	Cv	Service Kit
TH904-62B82T0-G000	1/2"	2.6 (1.2)	6.9 (100)	385 (5584)	462 (6700)	-40 (-40)	149 (65)	2000	14.7 (20)	6.7	TH904-SK1-S4
TH904-62B92T0-G000	1/2"	2.6 (1.2)	6.9 (100)	385 (5584)	462 (6700)	-40 (-40)	149 (65)	2000	14.7 (20)	6.7	TH904-SK2-S4

* Lowest settled gas pressure for which the ball valve is designed. This is the minimum pressure that the product will hold constant bubble tight seal.

** Settled pressure of a compressed gas at a uniform reference temperature of 15°C in a full pressure receptacle for which the valve is intended.

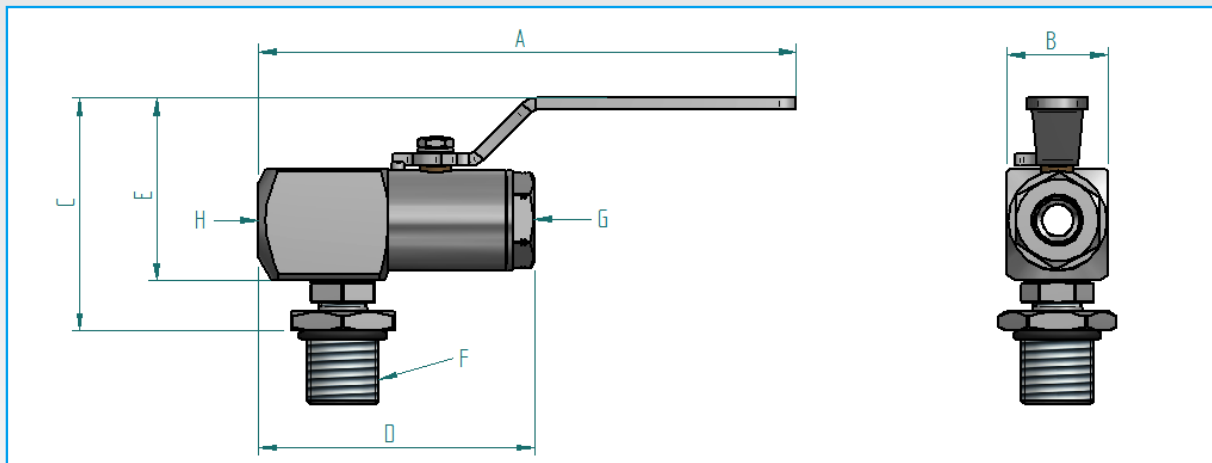
*** Minimum pressure applied to the valve during testing

[^] The temperature's and cycles stated depend on the system conditions and may not be achievable in all situations.

Contact Oasis for further information.

^{^^} Maximum opening torque at maximum operating pressure.

Dimensions:



Dimensions - Inch (mm)

Part Code	A	B	C	D	E
TH904 (all)	8.5" (215mm)	1.6" (41mm)	3.7" (93mm)	4.3" (110mm)	2.9" (73mm)

Connection Specifications

Part Code	F (CYLINDER) MALE THREAD	G (END CAP) FEMALE THREAD	H (PRD/LIVE PORT) FEMALE THREAD	PRD TYPE
TH904-62B82T0-G000	25E (W28.8)	3/4-16 SAE	9/16-18 SAE	CUSTOMER SUPPLIED
TH904-62B92T0-G000	UNF18 (1 1/8-12 UNF)	3/4-16 SAE	9/16-18 SAE	REMOTE PRD