



# Bus & Truck Nozzle Holder

## Applications

Used for hanging Bus & Truck Nozzle and Fill Valve with Bus & Truck Nozzle on Dispenser or Fill Post.



FV104-60 - Bus & Truck Nozzle Holder

## Materials

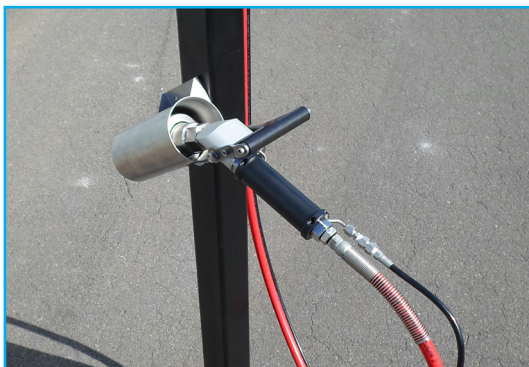
Item	Description	Material	Part No
1	Body	Stainless Steel	FV103-60

## Features & Benefits

Keeps Nozzle and Valve in a safe and secure place.

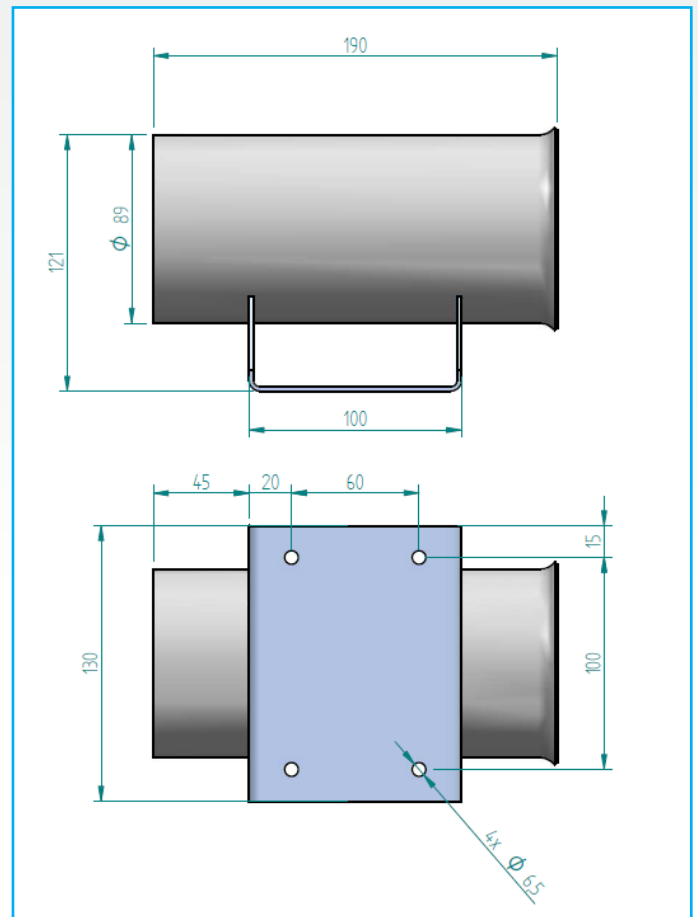
Easily retrofitted.

Robust, simple design that can be quickly installed.



Bus & Truck Nozzle Holder Installed

## Dimensions (mm)



We reserve the right to modify product specifications without prior notice.